

## Industrial Equipment

Cummins-Wagner Florida provides industry leading products and services to customers in the industrial, municipal and construction markets. We provide design and consulting, automated process solutions, turn-key packaged pumping systems, installation and startup, pump and valve repair along with sales and service of industrial components. As a full-service, stocking distributor we can help with tough applications that require:

**Pumps • Valves • Motors • Gear Reducers • Instrumentation • Hoses • Fittings  
Mechanical Seals • Process Tanks • Material Handling • Filtration • Chemical  
Feed Systems • Air Compressors • Automation • Installation • Engineering**



**Call 800-248-0155 or visit [www.cw-fl.com](http://www.cw-fl.com)**

Sanitary Process Equipment | Industrial Fluid-Handling Equipment | Chemical Feed Systems

# Professional Services Offered

## ON-SITE PROJECT WORK

Orbital Welding  
Process Flow &  
Instrumentation Drawing  
Systems Integration  
Turn-Key Installations

## FULL-SERVICE SYSTEM INTEGRATION

Engineering service in  
design & programming  
Programmable Logic Control  
Distributed Control System  
Operator Interface System

## REPAIR SERVICES

Pumps  
Valves  
Actuators  
Heat Exchangers/  
Pasteurizers  
Meters

## TRAINING

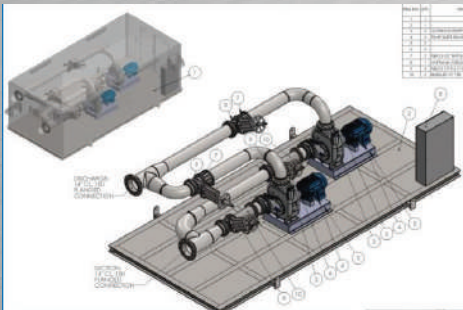
Pumps  
Valves  
Actuators

## ORIGINAL EQUIPMENT

Pump Carts  
Portable Vessel Control  
Systems  
CIP Skids

## VALUE ADDED SERVICES

Automation &  
Controls Design  
Installation & Start-up  
In House Pump Repair  
System Design



**Call 800-248-0155 or visit [www.cw-fl.com](http://www.cw-fl.com)**

Sanitary Process Equipment | Industrial Fluid-Handling Equipment | Chemical Feed Systems